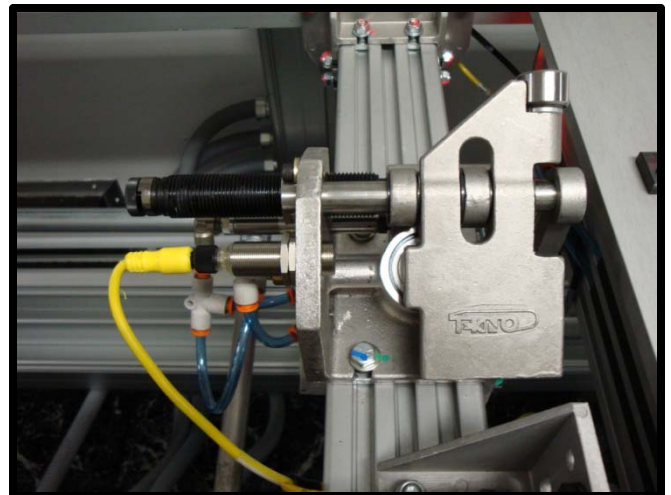


Tekno Paddle Stop

Key Benefits & Features:

- Pneumatically powered stopping devices used to assist in controlling the flow of pallet along Gemini conveying systems.
- Paddle Stops catch, hold, and release pallets in response to outputs from the system's PLC or can function with simple pneumatic controls.
- Each paddle Stop fitted with a shock absorber that cushions the impact force of the incoming pallet, bringing it to a smooth stop without kickback with a 1 5/8 decel.

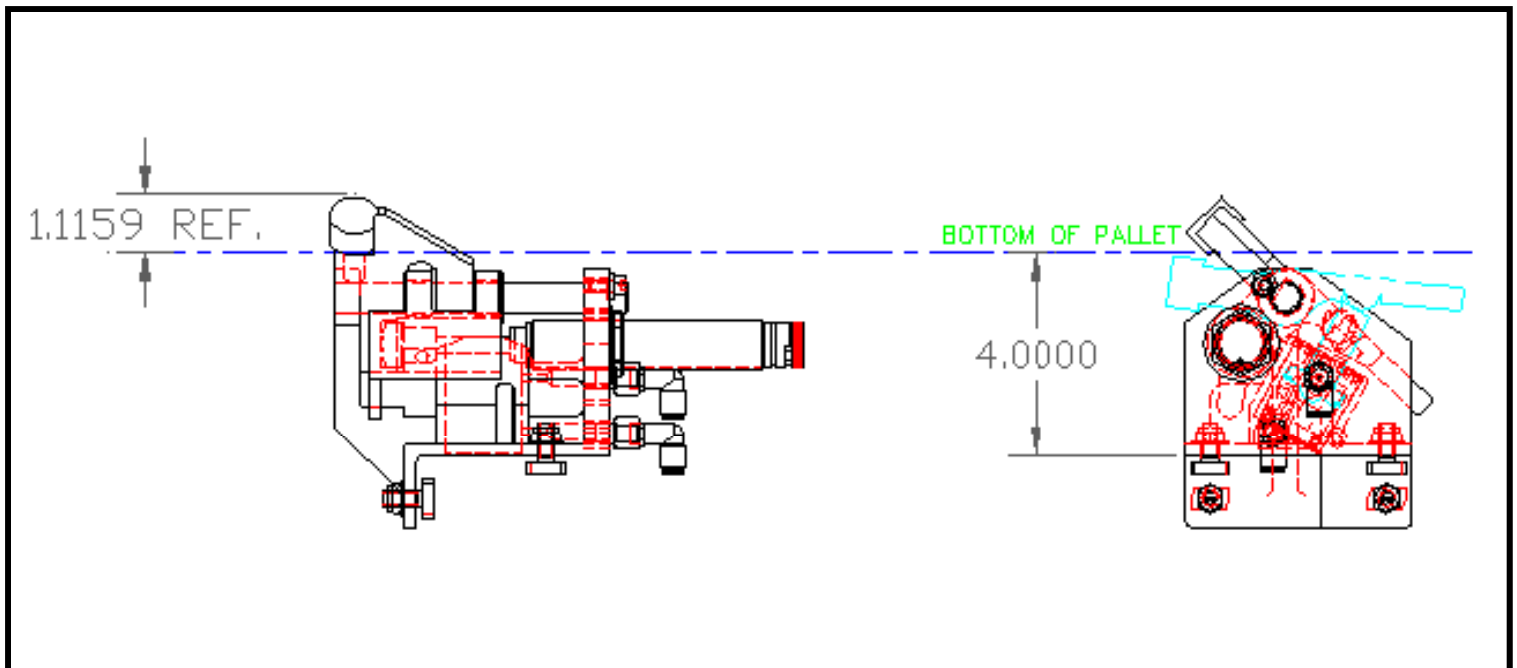


One Wall Street
Cave City, KY 42127

Tekno Paddle Stops

Key Benefits & Features:

- Locating Paddle Stops are designed to consistently stop and hold the pallet at a predetermined location. Each time a pallet is stopped, the shock absorber is fully collapsed.
- A plastic cam roller is available for all Paddle Stop configurations. It is used in areas where electrical is supplied from the conveyor to the pallet.
- The nonconductive material eliminates potential short circuits as the pallet moves over the Paddle Stop.



Paddle Stop Assembly, Que (S0100211)

